



JUNIPER™

MODERN LIGHTING SOLUTIONS | 2019



***HONESTY IN
DESIGN CAN BE
FOUND IN THE
DETAILS.***



ABOUT JUNIPER

- 7 HISTORY
- 9 VISION
- 11 COLLECTION

LIGHTING PRODUCTS

- 12 THIN SOLIDS COLLECTION
- 22 THE RAIL OUTDOOR SYSTEM
- 26 AXIS COLLECTION
- 38 METROPOLIS COLLECTION
- 50 THIN SUSPENSION
- 58 THIN MULTIPLES COLLECTION
- 72 THIN SURFACE MOUNT COLLECTION
- 86 THIN PRIMARIES COLLECTION
- 106 THIN TASK LAMP COLLECTION
- 112 THIN SHARED TASK LAMP
- 116 M LAMP
- 118 THE WALLY
- 122 THIN CHANDELIER
- 128 LOVE ME NOT
- 130 GROUND CONTROL COLLECTION

OVERVIEW

- 142 GLOSSARY
- 148 CONTACT



HISTORY

In 2011, a small team with a big passion for design embarked upon a mission to bring a fresh perspective on lighting to an industry poised for change. Before long, Juniper would become one of the early pioneers of the burgeoning Brooklyn contemporary lighting scene.

Today, Juniper is a fully-integrated design and manufacturing studio. Honesty, passion, and craftsmanship are fundamental in our quest to bring upscale architectural lighting to homes, offices, and hospitality spaces worldwide.



VISION

Our business was formed around the idea that good design is essential and has the power to transform people and places in meaningful ways. We do this by integrating design with technology to create innovative lighting solutions for unique spaces. For us, that means reducing our products to their truest and simplest form. It means innovating not for the sake of it, but to solve problems in a way that improves our lives while reducing demands on our environment. It means using natural materials and finishes that reflect the true origin and intent of our products.

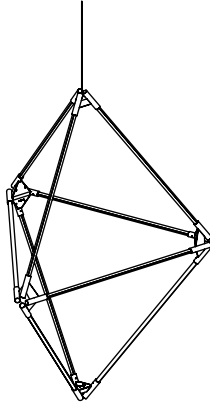
We believe that honesty in design can be found in the details, so we obsess over them, sometimes irrationally, as we seek to solve problems even our users don't know exist. In the end, we fall in love with our products. We're proud to make them, proud to produce them, and proud to be shown with them.



COLLECTION

Amazement occurs when one witnesses the unusual. With this in mind, each of our collaborations begin with the intent and the challenge to produce something outside of the norm. Sometimes innovation is in the details, and sometimes it is at the very core of the product. Our collection is made up of thoughtfully designed and meticulously engineered lighting solutions, while our design philosophy is centralized around reduction, user experience, and technological advancement.

We are proud to be the recipients of numerous design awards. Our products have been featured in a collection of design anthologies and publications across the globe.



THIN SOLIDS DIAMOND

The THIN Solids Diamond features opposing forces that join at its center to create a symmetrical and harmonious octahedron shape. The THIN Solids Collection offers our THIN rotatable light segments that can be turned in for a concentrated glow, or rotated out for a diffused aura of ambient light.

DIMENSIONS	12 IN, 18 IN, OR 24 IN LENGTHS, 1/2 IN Ø
WATTAGE & LUMENS	12 IN - 30.6W, 0-2700LM TOTAL 18 IN - 45.9W, 0-4100LM TOTAL 24 IN - 61.2W, 0-5500LM TOTAL
LIGHT TEMPERATURE	2700K, 3000K, 3500K, 4000K
LIGHT QUALITY	90CRI
MATERIALS	SOLID BRASS, PMMA
FINISHES	SATIN BRASS, BLACK OXIDE, SATIN NICKEL
CERTIFICATIONS	CE, cUL, UL, TITLE 24, DAMP LOCATION



THIN Solids Diamond in Black Oxide

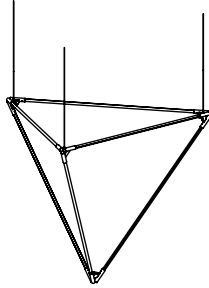




THIN Solids Diamond in Satin Nickel



OTHER MOUNTING
OPTIONS AVAILABLE



THIN SOLIDS TETRAHEDRON

The THIN Solids Tetrahedron displays a triangular silhouette outlined by minimal lines of light. One of five Platonic solids, the Tetrahedron symbolizes one of the strongest structural shapes for durability under pressure. The pendant provides an impactful statement as it suspends from either of its corners or sides.

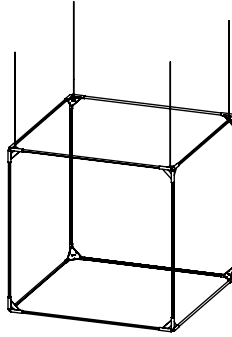
DIMENSIONS	12 IN, 18 IN, OR 24 IN LENGTHS, 1/2 IN Ø
WATTAGE & LUMENS	12 IN - 20.4W, 0-1800LM TOTAL 18 IN - 30.6W, 0-2700LM TOTAL 24 IN - 40.8W, 0-3600LM TOTAL
LIGHT TEMPERATURE	2700K, 3000K, 3500K, 4000K
LIGHT QUALITY	90CRI
MATERIALS	SOLID BRASS, PMMA
FINISHES	SATIN BRASS, BLACK OXIDE, SATIN NICKEL
CERTIFICATIONS	CE, cUL, UL, TITLE 24, DAMP LOCATION
OPTIONAL FEATURES	1 OR 3 MOUNTING POINTS, CENTER- MOUNT, DIRECT-MOUNT TO CEILING



THIN Solids Tetrahedron in Satin Nickel



OTHER MOUNTING
OPTIONS AVAILABLE



THIN SOLIDS CUBE

The THIN Solids Cube represents truth, appearing unbiased from all angles. Perfect symmetry offers a strong voice with perpendicular angles and illuminated edges. The collection can extend and interlock for larger installations, or have an impactful effect when installed as a single pendant.

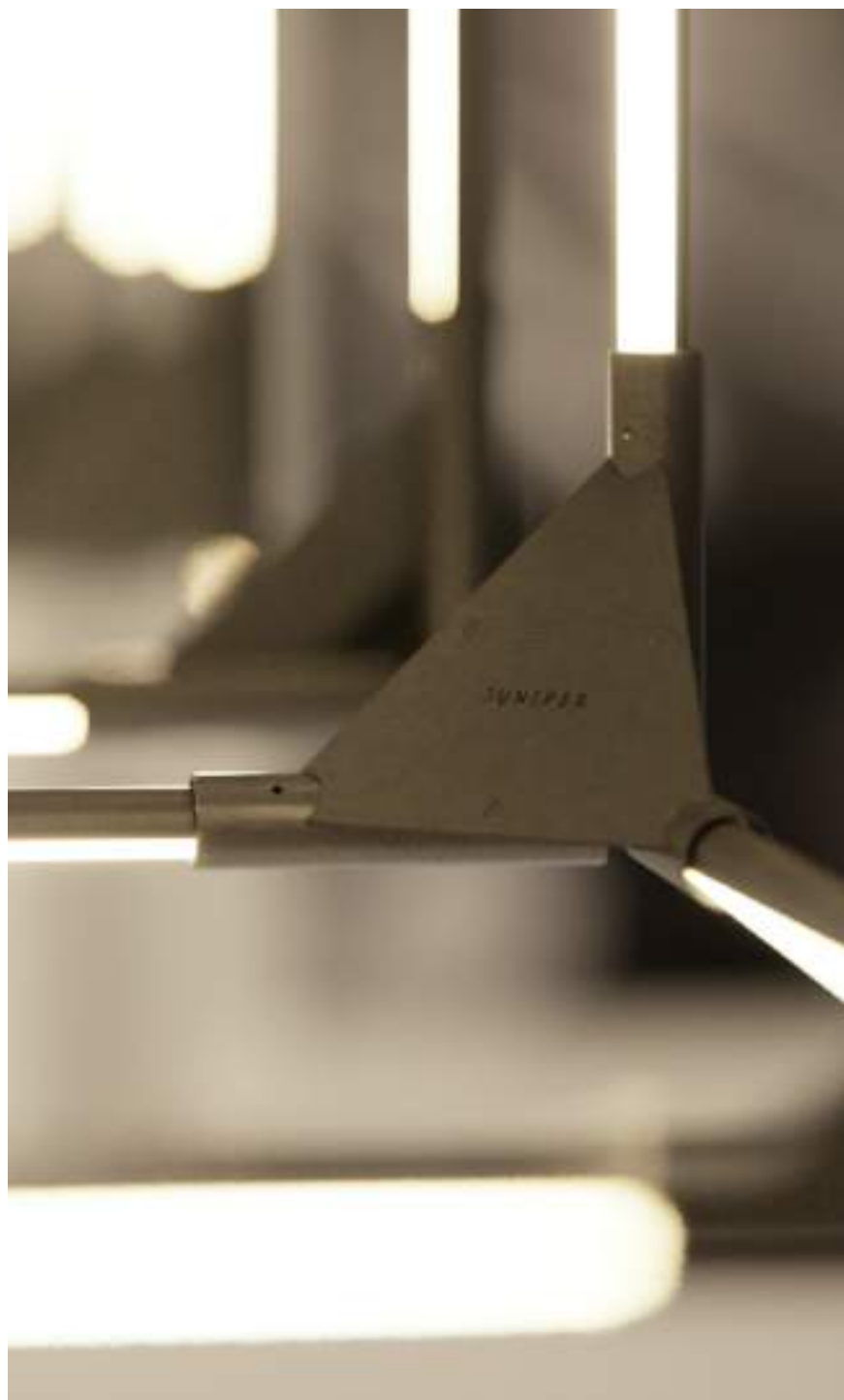
DIMENSIONS	12 IN, 18 IN, OR 24 IN LENGTHS, 1/2 IN Ø
WATTAGE & LUMENS	12 IN - 40.8W, 0-3600LM TOTAL 18 IN - 61.2W, 0-5500LM TOTAL 24 IN - 81.6W, 0-7300LM TOTAL
LIGHT TEMPERATURE	2700K, 3000K, 3500K, 4000K
LIGHT QUALITY	90CRI
MATERIALS	SOLID BRASS, PMMA
FINISHES	SATIN BRASS, BLACK OXIDE, SATIN NICKEL
CERTIFICATIONS	CE, cUL, UL, TITLE 24, DAMP LOCATION
OPTIONAL FEATURES	1, 2 OR 4 MOUNTING POINTS, CENTER-MOUNT, DIRECT-MOUNT TO CEILING

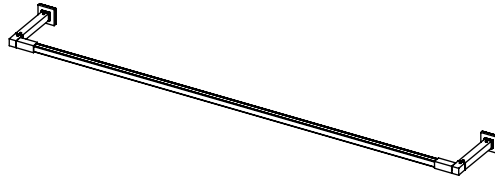
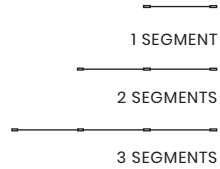


THIN Solids Cube in Satin Brass



THIN Solids Cube in Black Oxide





THE RAIL OUTDOOR SYSTEM

The Rail uniquely offers a 1/2-inch square body that individually rotates 320° to aim light on outdoor signage, architectural elements, and walkways. Its water-resistant anodized aluminum body provides a durable finish to withstand outdoor elements. Easily connect segments together for longer runs.

DIMENSIONS	36 IN, 48 IN, OR 60 IN LENGTHS, 1/2 IN Ø
STANDOFF HEIGHTS	3 IN, 7 IN, 12 IN
WATTAGE & LUMENS	36 IN - 11.8W, 0-820LM PER SEGMENT 48 IN - 16.2W, 0-1125LM PER SEGMENT 60 IN - 20.8W, 0-1417LM PER SEGMENT
LIGHT TEMPERATURE	3000K, 3500K, 4000K
LIGHT QUALITY	90CRI
MATERIALS	ALUMINUM, SILICONE
FINISHES	SANDBLASTED ALUMINUM, BLACK, BRONZE
CERTIFICATIONS	IP65 RATED, cUL, UL

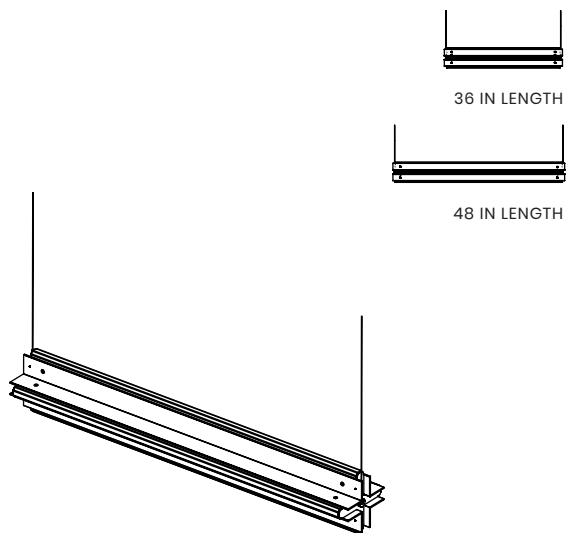


The Rail in Sandblasted Aluminum





The Rail in Black



AXIS X

The Axis Collection draws inspiration from the method of extruding angles and channels that proliferated throughout the 19th century. Designed by Miren Lasnier at Juniper, the Axis X features parallel angles that embrace four channels of light to create an X or + orientation.

DIMENSIONS	36 IN OR 48 IN LENGTHS, 6 IN X 6 IN
WATTAGE & LUMENS	36 IN - 55W, 0-3700LM TOTAL 48 IN - 74W, 0-5000LM TOTAL
LIGHT TEMPERATURE	2700K, 3000K, 3500K, 4000K
LIGHT QUALITY	90CRI
MATERIALS	BRONZE, FROSTED PMMA
FINISHES	SATIN BRASS, POLISHED BRASS, BLACK OXIDE, ANTIQUE PEWTER, BLACK WALNUT, GREY-STAINED ASH
CERTIFICATIONS	CE, cUL, UL, TITLE 24, DAMP LOCATION RATED

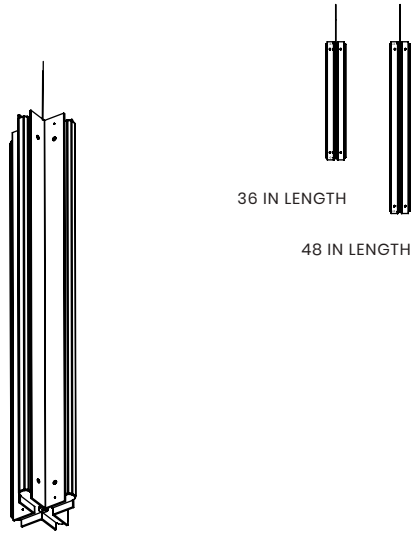


The Axis X in Polished Brass





The Axis X in Satin Brass



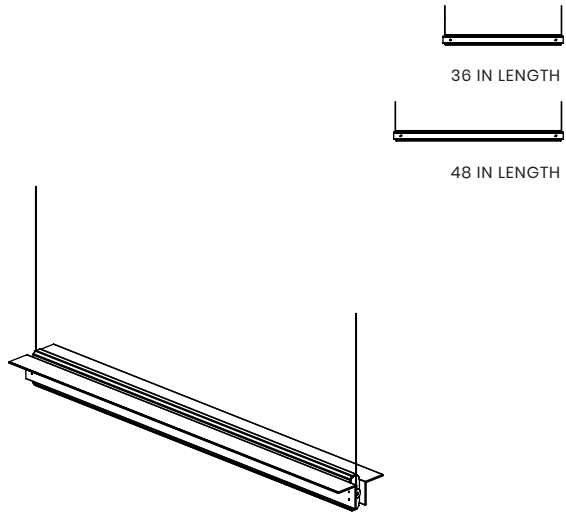
AXIS X VERTICAL SUSPENSION

The extruded body of the Axis X Vertical Suspension is suspended from a single mounting point, creating a long and elegant fixture. The four light arrays are designed for high-output illumination, while its low dimming capability reduces the fixture to a light sculpture.

DIMENSIONS	36 IN OR 48 IN LENGTHS, 6 IN X 6 IN
WATTAGE & LUMENS	36 IN - 55W, 0-3700LM TOTAL 48 IN - 74W, 0-5000LM TOTAL
LIGHT TEMPERATURE	2700K, 3000K, 3500K, 4000K
LIGHT QUALITY	90CRI
MATERIALS	BRONZE, FROSTED PMMA
FINISHES	SATIN BRASS, POLISHED BRASS, BLACK OXIDE, ANTIQUE PEWTER, BLACK WALNUT, GREY-STAINED ASH
CERTIFICATIONS	CE, cUL, UL, TITLE 24, DAMP LOCATION RATED



Axis X Vertical Suspension in Black Walnut



AXIS T

The Axis T is a balance of form and light. Illuminated arrays follow two channels of parallel brass angles, casting a direct and indirect beam of light. Its solid bronze body and precise construction inform the confluence of luxury and solidity.

DIMENSIONS	36 IN OR 48 IN LENGTHS, 5 IN X 3 IN
WATTAGE & LUMENS	36 IN - 27.5W, 0-1800LM TOTAL 48 IN - 37W, 0-2400LM TOTAL
LIGHT TEMPERATURE	2700K, 3000K, 3500K, 4000K
LIGHT QUALITY	90CRI
MATERIALS	BRONZE, FROSTED PMMA
FINISHES	SATIN BRASS, POLISHED BRASS, BLACK OXIDE, ANTIQUE PEWTER, BLACK WALNUT, GREY-STAINED ASH
CERTIFICATIONS	CE, cUL, UL, TITLE 24, DAMP LOCATION RATED

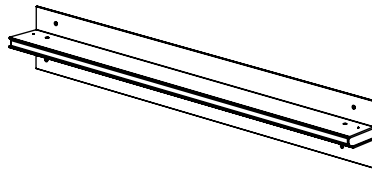
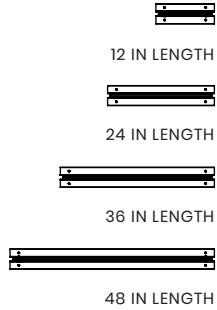


The Axis T in Antique Pewter





The Axis T in Satin Brass



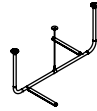
AXIS WALL SCONCE

The Axis Wall Sconce conveys a contemporary industry-inspired design. A single array follows a channel of parallel brass angles and radiates light from a mounted backplate. The Axis Wall Sconce delivers high-end finishes and architectural performance.

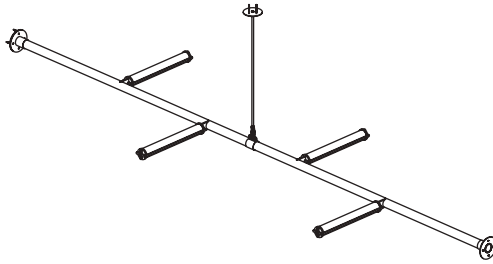
DIMENSIONS	12 IN, 24 IN, 36 IN, OR 48 IN LENGTHS 5 IN X 2.5 IN
WATTAGE & LUMENS	12 IN - 4.5W, 0-270LM 24 IN - 9W, 0-650LM 36 IN - 14W, 0-900LM 48 IN - 18.5W, 0-1200LM
LIGHT TEMPERATURE	2700K, 3000K, 3500K, 4000K
LIGHT QUALITY	90CRI
MATERIALS	BRONZE, FROSTED PMMA
FINISHES	SATIN BRASS, POLISHED BRASS, BLACK OXIDE, ANTIQUE PEWTER, BLACK WALNUT, GREY-STAINED ASH
CERTIFICATIONS	CE, cUL, UL, ADA COMPLIANT, TITLE 24, DAMP LOCATION RATED



The Axis Wall Sconce in Black Oxide



CUSTOM LENGTHS
OTHER MOUNTING
OPTIONS AVAILABLE



METROPOLIS WALL-TO-WALL

WITH DAVID MECKLEY

The Metropolis Collection is inspired by Bauhaus design, nautical objects, and the rock 'n' roll era. The Metropolis Wall-to-Wall is customized to span the full length of a space and is designed to bring upscale finishes and high-level modularity to the workspace.

DIMENSIONS	26 IN OR 36 IN MODULES X 3.5 IN Ø CUSTOM LENGTHS
WATTAGE & LUMENS	26 IN - 41W, 0-4000LM PER MODULE 36 IN - 61W, 0-6100LM PER MODULE
LIGHT TEMPERATURE	2400K, 2700K, 3000K
LIGHT QUALITY	90CRI
MATERIALS	BRASS, ALUMINUM, FROSTED ACRYLIC, BLACKENED STEEL FOR MESH
FINISHES	SATIN BRASS, SATIN ALUMINUM, POLISHED ALUMINUM, ALL BLACK
CERTIFICATIONS	CE, cUL, UL
OTHER FEATURES	BLACK HEXAGONAL MESH DIFFUSER AVAILABLE, DIRECT/INDIRECT DIMMING, MANY MOUNTING OPTIONS (INQUIRE)



Metropolis Wall-to-Wall in Satin Brass with Mesh Overlay and 36-inch Modules



Metropolis Wall-to-Wall in Satin Brass, Argonaut Conference Room, Photo by David Wakely

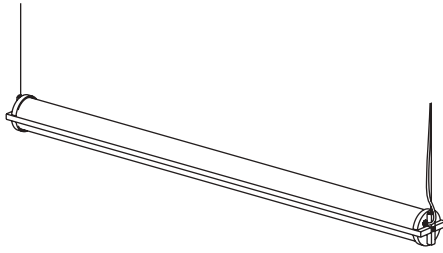




36 IN LENGTH



48 IN LENGTH



METROPOLIS SUSPENSION

WITH DAVID MECKLEY

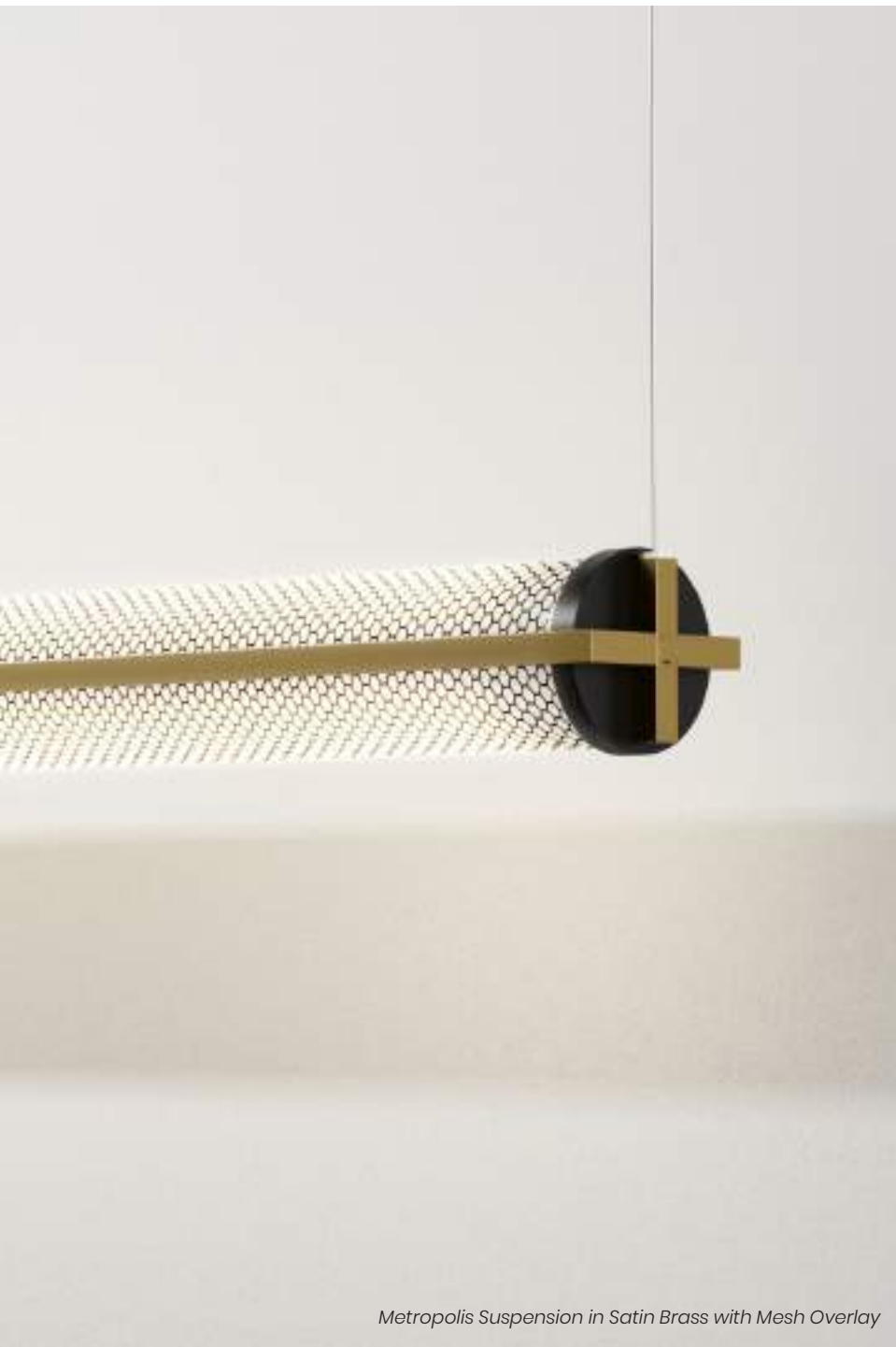
The Metropolis Suspension forms part of our Bauhaus-inspired collection of high-powered architectural lighting. The unique cylindrical system is engineered to independently dim top and bottom hemispheres.

DIMENSIONS	36 IN OR 48 IN LENGTHS, 3.5 IN Ø
WATTAGE & LUMENS	36 IN - 61W, 0-6100LM DELIVERED 48 IN - 81W, 0-8200LM DELIVERED
LIGHT TEMPERATURE	2400K, 2700K, 3000K
LIGHT QUALITY	90CRI
MATERIALS	ALUMINUM, FROSTED ACRYLIC, BLACKENED STEEL FOR MESH
FINISHES	SATIN BRASS, SATIN ALUMINUM, POLISHED ALUMINUM, POLISHED BRASS
CERTIFICATIONS	CE, cUL, UL
OTHER FEATURES	BLACK HEXAGONAL MESH DIFFUSER AVAILABLE, DIRECT/INDIRECT DIMMING

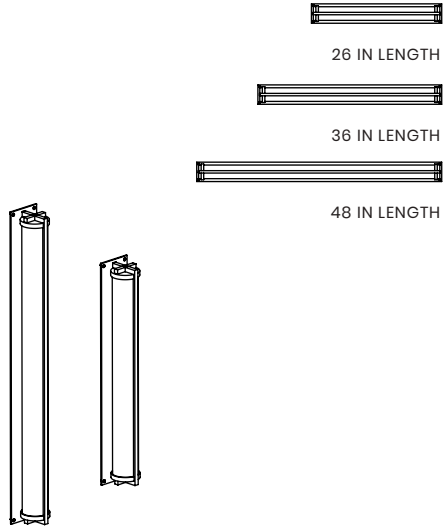


Metropolis Suspension in Satin Brass





Metropolis Suspension in Satin Brass with Mesh Overlay



METROPOLIS WALL SCONCE

WITH DAVID MECKLEY

The Wall Sconce is an extension of the Metropolis Collection. The low-profile brass backplate is unique to the sconce and allows vertical and horizontal mounting. The high-output fixtures accommodate dimmable direct and indirect light control.

DIMENSIONS	26 IN, 36 IN, OR 48 IN LENGTHS, 3.5 IN Ø
WATTAGE & LUMENS	26 IN - 41W, 0-4000LM DELIVERED 36 IN - 61W, 0-6100LM DELIVERED 48 IN - 81W, 0-8200LM DELIVERED
LIGHT TEMPERATURE	2400K, 2700K, 3000K
LIGHT QUALITY	90CRI
MATERIALS	ALUMINUM, FROSTED ACRYLIC, BLACKENED STEEL FOR MESH
FINISHES	SATIN BRASS, SATIN ALUMINUM, POLISHED ALUMINUM, POLISHED BRASS
CERTIFICATIONS	CE, cUL, UL, ADA COMPLIANT
OTHER FEATURES	BLACK MESH DIFFUSER AVAILABLE, DIRECT/INDIRECT DIMMING, ADA COMPLIANT

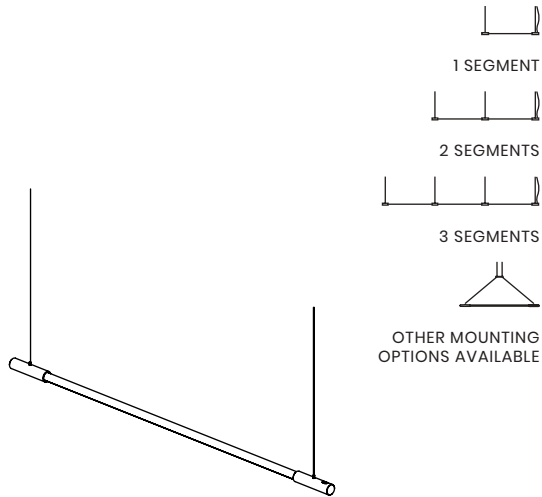


Metropolis Wall Sconce in Satin Aluminum





Metropolis Wall Sconces in Satin Brass



THIN SUSPENSION

WITH PETER BRISTOL

The THIN Suspension forms part of the Juniper THIN lighting system. It elevates the standards of architectural lighting by uniting function with finish. With an ultra-fine profile, the THIN Suspension features interconnecting, rotating, and dimmable LED light segments for adjustable illumination at any length.

DIMENSIONS	24 IN OR 36 IN SEGMENT LENGTHS
EXTENDABLE LENGTHS	UP TO 27 FT TOTAL ON 96W DRIVER LONGER LENGTHS AVAILABLE
WATTAGE & LUMENS	24 IN - 6.8W, 0-600LM PER SEGMENT 36 IN - 9.6W, 0-920LM PER SEGMENT
LIGHT TEMPERATURE	2700K, 3000K, 3500K, 4000K
LIGHT QUALITY	90CRI
MATERIALS	SOLID BRASS, PMMA
FINISHES	SATIN BRASS, BLACK OXIDE, SATIN NICKEL
CERTIFICATIONS	CE, cUL, UL, TITLE 24, DAMP LOCATION
OPTIONAL FEATURES	CENTER POWER FEED, CENTER-MOUNT WITH CABLE COLLAR, CENTER-MOUNT WITHOUT CABLE COLLAR, DIRECT-MOUNT TO CEILING



THIN Suspension in Black Oxide



THIN Suspension in Black Oxide



THIN Suspension with 2 Connected Segments in Satin Nickel



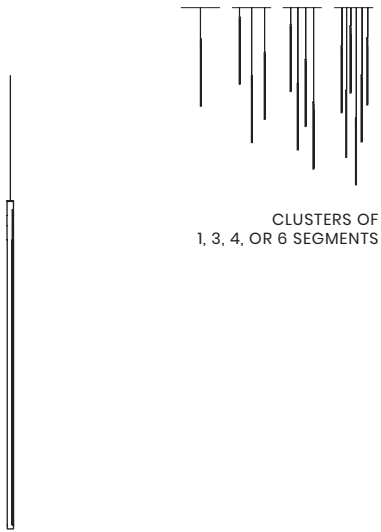
THIN Suspension with 3 Connected Segments in Satin Brass



THIN Suspensions in Satin Nickel



THIN Suspension with 2 Connected Segments in Satin Nickel, Photo by Dean Birinyi



THIN VERTICAL SUSPENSION

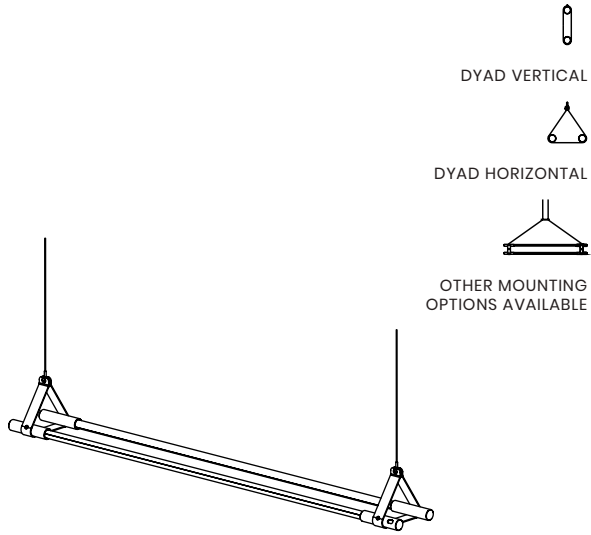
WITH PETER BRISTOL

With its ½-inch diameter brass body, the THIN Vertical Suspension hangs by a single mounting point. Minimal and timeless, the THIN Vertical Suspension can be mounted singularly or in clusters to form dazzling installations of warm light. Clusters and drop heights can be customized to create unique installations.

DIMENSIONS	24 IN, 36 IN OR 48 IN SEGMENT LENGTHS
WATTAGE & LUMENS	24 IN - 6.8W, 0-600LM PER SEGMENT 36 IN - 9.6W, 0-920LM PER SEGMENT 48 IN - 13.6W, 0-1227LM PER SEGMENT
LIGHT TEMPERATURE	2700K, 3000K, 3500K, 4000K
LIGHT QUALITY	90CRI
MATERIALS	SOLID BRASS, PMMA
FINISHES	SATIN BRASS, BLACK OXIDE, SATIN NICKEL
CERTIFICATIONS	CE, cUL, UL, TITLE 24, DAMP LOCATION



THIN Vertical Suspension in Satin Brass



THIN MULTIPLES DYAD

WITH PETER BRISTOL

The THIN Multiples Collection arranges Juniper's signature LED arrays into clusters intended to provide different volumes and dispersions of light. The Dyad features dual light segments that can be arranged horizontally or vertically.

DIMENSIONS	24 IN OR 36 IN SEGMENT LENGTHS
STYLE OPTIONS	HORIZONTAL OR VERTICAL
EXTENDABLE LENGTHS	UP TO 12 FT TOTAL ON 96W DRIVER LONGER LENGTHS AVAILABLE
WATTAGE & LUMENS	24 IN - 13.6W, 0-1200LM PER SECTION 36 IN - 19.2W, 0-1840LM PER SECTION
LIGHT TEMPERATURE	2700K, 3000K, 3500K, 4000K
LIGHT QUALITY	90CRI
MATERIALS	SOLID BRASS, PMMA
FINISHES	SATIN BRASS, BLACK OXIDE, SATIN NICKEL
CERTIFICATIONS	CE, cUL, UL, TITLE 24, DAMP LOCATION
OPTIONAL FEATURES	CENTER-MOUNT WITH CABLE COLLAR, CENTER-MOUNT WITHOUT CABLE COLLAR, DIRECT-MOUNT TO CEILING



THIN Multiples Dyad Horizontal in Satin Brass



THIN Multiples Dyad Horizontal in Satin Nickel



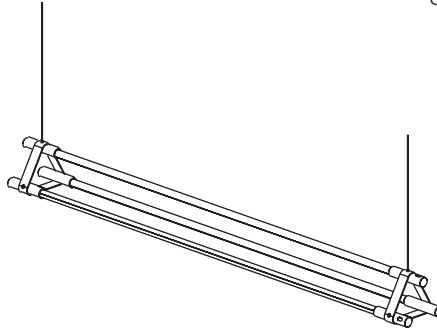
THIN Multiples Dyad Vertical in Satin Nickel



TRIAD



OTHER MOUNTING
OPTIONS AVAILABLE



THIN MULTIPLES TRIAD

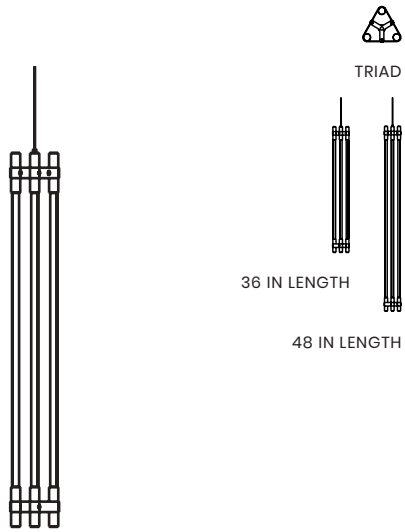
WITH PETER BRISTOL

The THIN Multiples Triad forms an extruded prism shape with three contemporary LED light segments. Longer lengths can be achieved by interconnecting the rotatable and dimmable segments. Available in a variety of brass finishes.

DIMENSIONS	24 IN OR 36 IN SEGMENT LENGTHS
EXTENDABLE LENGTHS	UP TO 8 FT TOTAL ON 96W DRIVER LONGER LENGTHS AVAILABLE
WATTAGE & LUMENS	24 IN - 20.4W, 0-1800LM PER SECTION 36 IN - 28.8W, 0-2760LM PER SECTION
LIGHT TEMPERATURE	2700K, 3000K, 3500K, 4000K
LIGHT QUALITY	90CRI
MATERIALS	SOLID BRASS, PMMA
FINISHES	SATIN BRASS, BLACK OXIDE, SATIN NICKEL
CERTIFICATIONS	CE, cUL, UL, TITLE 24, DAMP LOCATION
OPTIONAL FEATURES	CENTER-MOUNT WITH CABLE COLLAR, CENTER-MOUNT WITHOUT CABLE COLLAR, DIRECT-MOUNT TO CEILING



THIN Multiples Triad with 3 Connected Sections in Satin Brass



THIN MULTIPLES VERTICAL TRIAD

WITH PETER BRISTOL

The THIN Multiples Vertical Triad translates the classic prism shape into a vertical pendant with three rotatable light segments. Suspended by a single mounting point, the fixture exudes simplicity and refinement through the study of material and form.

DIMENSIONS	24 IN OR 36 IN SEGMENT LENGTHS
WATTAGE & LUMENS	24 IN - 20.4W, 0-1800LM TOTAL 36 IN - 28.8W, 0-2760LM TOTAL
LIGHT TEMPERATURE	2700K, 3000K, 3500K, 4000K
LIGHT QUALITY	90CRI
MATERIALS	SOLID BRASS, PMMA
FINISHES	SATIN BRASS, BLACK OXIDE, SATIN NICKEL
CERTIFICATIONS	CE, cUL, UL, TITLE 24, DAMP LOCATION



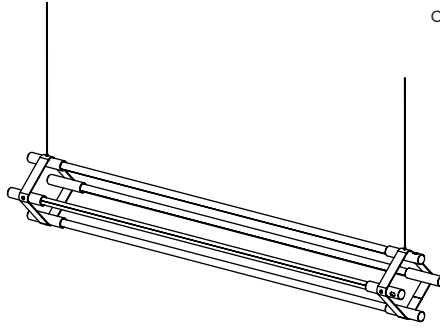
THIN Multiples Vertical Triad in Black Oxide



TETRAD



OTHER MOUNTING
OPTIONS AVAILABLE



THIN MULTIPLES TETRAD

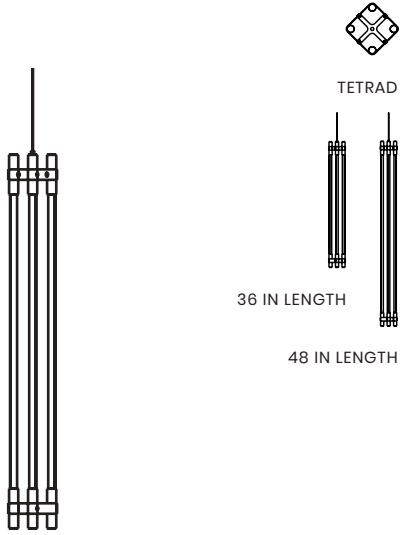
WITH PETER BRISTOL

The THIN Multiples Tetrad elevates the collection to four LED light segments, forming a rectangular prism. Dimmable light arrays, available in a variety of brass finishes, magnetically interlock into place and rotate on-site for custom lighting displays at almost any length.

DIMENSIONS	24 IN OR 36 IN OPTIONS
EXTENDABLE LENGTHS	UP TO 6 FT TOTAL ON 96W DRIVER LONGER LENGTHS AVAILABLE
WATTAGE & LUMENS	24 IN - 27.2W, 0-2400LM PER SECTION 36 IN - 38.4W, 0-3680LM PER SECTION
LIGHT TEMPERATURE	2700K, 3000K, 3500K, 4000K
LIGHT QUALITY	90CRI
MATERIALS	SOLID BRASS, PMMA
FINISHES	SATIN BRASS, BLACK OXIDE, SATIN NICKEL
CERTIFICATIONS	CE, cUL, UL, TITLE 24, DAMP LOCATION
OPTIONAL FEATURES	CENTER-MOUNT WITH CABLE COLLAR, CENTER-MOUNT WITHOUT CABLE COLLAR, DIRECT-MOUNT TO CEILING



THIN Multiples Tetrad in Black Oxide

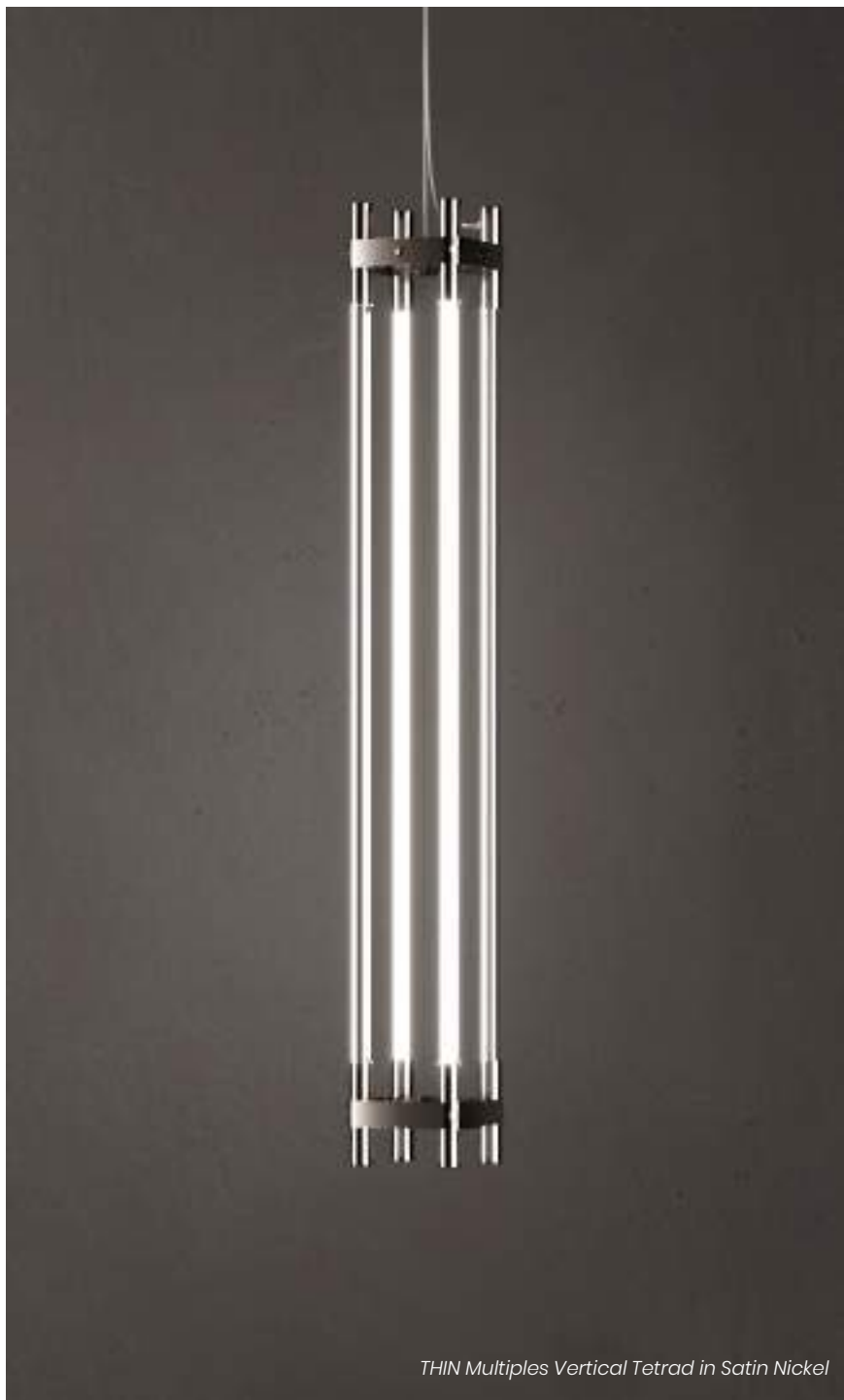


THIN MULTIPLES VERTICAL TETRAD

WITH PETER BRISTOL

The THIN Multiples Vertical Tetrad displays four LED light segments vertically suspended from a single mounting point. Segments rotate on-site and magnetically connect into place like their THIN System counterparts. Fixtures can cluster together for unique installations.

DIMENSIONS	24 IN OR 36 IN OPTIONS
WATTAGE & LUMENS	24 IN - 27.2W, 0-2400LM TOTAL 36 IN - 38.4W, 0-3680LM TOTAL
LIGHT TEMPERATURE	2700K, 3000K, 3500K, 4000K
LIGHT QUALITY	90CRI
MATERIALS	SOLID BRASS, PMMA
FINISHES	SATIN BRASS, BLACK OXIDE, SATIN NICKEL
CERTIFICATIONS	CE, cUL, UL, TITLE 24, DAMP LOCATION

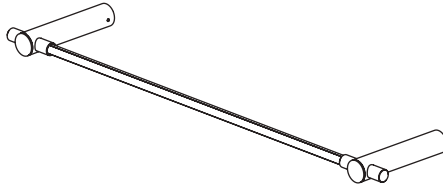
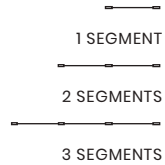


THIN Multiples Vertical Tetrad in Satin Nickel





THIN Multiples Vertical Tetrads in Satin Brass



THIN SURFACE MOUNT (PICTURE LIGHT)

WITH PETER BRISTOL

The THIN Surface Mount is an ultra-thin linear wall-mounted light fixture. Standing at 3½ or 7 inches off a surface and fully rotational, the fixture is ideally used as a picture/art light. Install as a single unit or interconnect segments to create longer runs.

DIMENSIONS	24 IN OR 36 IN SEGMENT LENGTHS
STANDOFF HEIGHTS	3.5 IN (90MM), 7 IN (180MM)
EXTENDABLE LENGTHS	UP TO 27 FT TOTAL ON 96W DRIVER
WATTAGE & LUMENS	24 IN - 6.8W, 0-600LM PER SEGMENT 36 IN - 9.6W, 0-920LM PER SEGMENT
LIGHT TEMPERATURE	2700K, 3000K, 3500K, 4000K
LIGHT QUALITY	90CRI
MATERIALS	SOLID BRASS, PMMA
FINISHES	SATIN BRASS, BLACK OXIDE, SATIN NICKEL
CERTIFICATIONS	CE, cUL, UL, TITLE 24, DAMP LOCATION



THIN Surface Mount with 2 Connected Segments in Satin Brass



THIN Surface Mount in Black Oxide



THIN Surface Mount with 2 Connected Segments in Satin Nickel

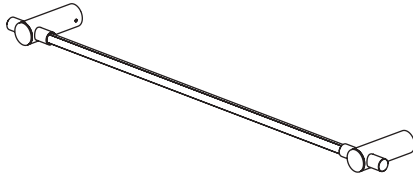
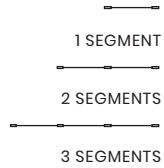


THIN Surface Mount with 3 Connected Segments in Satin Brass



THIN Surface Mount in Satin Brass





THIN SURFACE MOUNT (VANITY LIGHT)

WITH PETER BRISTOL

The THIN Surface Mount is an ultra-thin linear wall-mounted light fixture. At 1¼ or 3½ inches from the wall, the rotating and dimmable LED light segments fit any mirror size with customizable standoffs and light segment lengths.

DIMENSIONS	24 IN OR 36 IN SEGMENT LENGTHS
STANDOFF HEIGHTS	1.75 IN (45MM), 3.5 IN (90MM)
EXTENDABLE LENGTHS	UP TO 27 FT TOTAL ON 96W DRIVER
WATTAGE & LUMENS	24 IN - 6.8W, 0-600LM PER SEGMENT 36 IN - 9.6W, 0-920LM PER SEGMENT
LIGHT TEMPERATURE	2700K, 3000K, 3500K, 4000K
LIGHT QUALITY	90CRI
MATERIALS	SOLID BRASS, PMMA
FINISHES	SATIN BRASS, BLACK OXIDE, SATIN NICKEL
CERTIFICATIONS	CE, cUL, UL, TITLE 24, DAMP LOCATION, ADA COMPLIANT



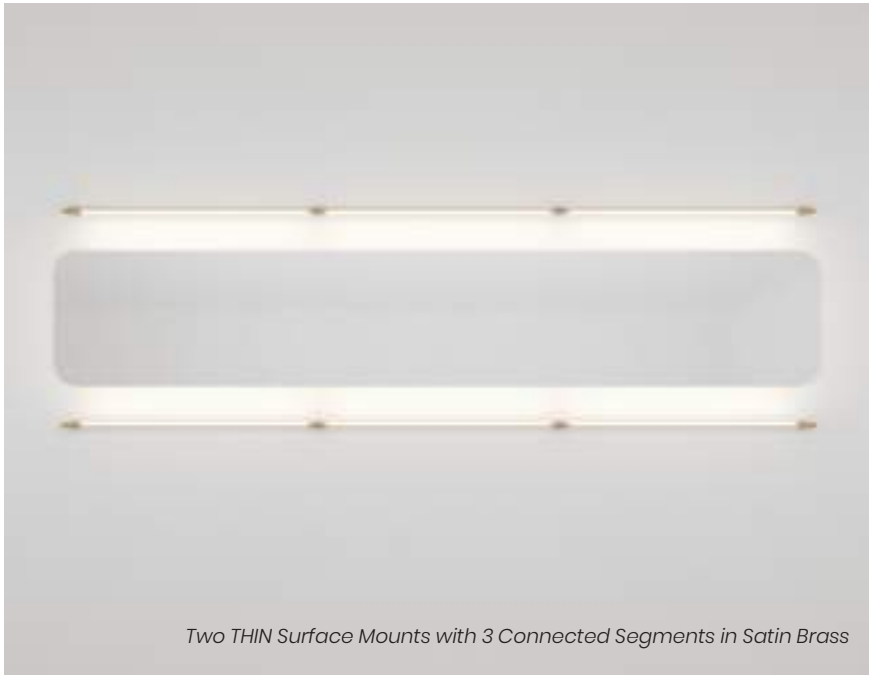
THIN Surface Mounts in Black Oxide



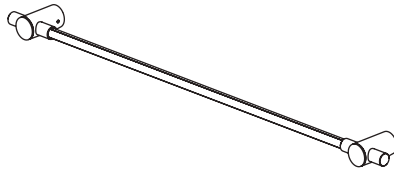
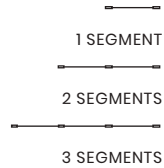
Two THIN Surface Mounts in Black Oxide



Two THIN Surface Mounts with 2 Connected Segments in Satin Nickel



Two THIN Surface Mounts with 3 Connected Segments in Satin Brass



THIN SURFACE MOUNT (DISPLAY & UNDER-CABINET LIGHT)

WITH PETER BRISTOL

The THIN Surface Mount is an ultra-thin linear wall-mounted light fixture. Standing at 1¾, 3½, or 7 inches from a surface, the fixture is ideal for under-cabinet lighting or illuminating display nooks. Standoff heights and brass finish options enable custom and unique lighting solutions. Interconnect LED light segments for longer runs.

DIMENSIONS	24 IN OR 36 IN SEGMENT LENGTHS
STANDOFF HEIGHTS	1.75 IN (45MM), 3.5 IN (90MM), 7 IN (180MM)
EXTENDABLE LENGTHS	UP TO 27 FT TOTAL ON 96W DRIVER
WATTAGE & LUMENS	24 IN - 6.8W, 0-600LM PER SEGMENT 36 IN - 9.6W, 0-920LM PER SEGMENT
LIGHT TEMPERATURE	2700K, 3000K, 3500K, 4000K
LIGHT QUALITY	90CRI
MATERIALS	SOLID BRASS, PMMA
FINISHES	SATIN BRASS, BLACK OXIDE, SATIN NICKEL
CERTIFICATIONS	CE, cUL, UL, TITLE 24, DAMP LOCATION



THIN Surface Mount in Black Oxide



THIN Surface Mount in Black Oxide

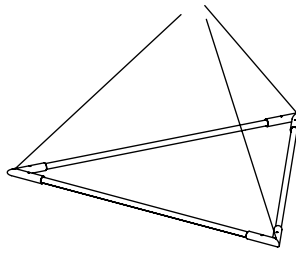




TRIANGLE



OTHER MOUNTING
OPTIONS AVAILABLE



THIN PRIMARIES TRIANGLE

WITH PETER BRISTOL

Both minimal and geometric, the THIN Primaries Triangle is a true exercise in reduction. The fixture uses slender and dimmable LED arrays that are connected by precise magnetic fittings to create an illuminated equilateral triangle.

DIMENSIONS	24 IN OR 36 IN SEGMENT LENGTHS
ORIENTATIONS	WALL-MOUNTED OR SUSPENDED
SEGMENT QUANTITY	3 SEGMENTS TOTAL
WATTAGE & LUMENS	24 IN - 20.4W, 0-1800LM TOTAL 36 IN - 28.8W, 0-2760LM TOTAL
LIGHT TEMPERATURE	2700K, 3000K, 3500K, 4000K
LIGHT QUALITY	90CRI
MATERIALS	SOLID BRASS, PMMA
FINISHES	SATIN BRASS, BLACK OXIDE, SATIN NICKEL
CERTIFICATIONS	CE, cUL, UL, TITLE 24, DAMP LOCATION
OPTIONAL FEATURES	CENTER-MOUNT WITH CABLE COLLAR, CENTER-MOUNT WITHOUT CABLE COLLAR, DIRECT-MOUNT TO CEILING



THIN Primaries Triangles in Satin Brass, Lenox Lobby, Photo by Alexander Severin



Wall-Mounted THIN Primaries Triangles in Satin Brass



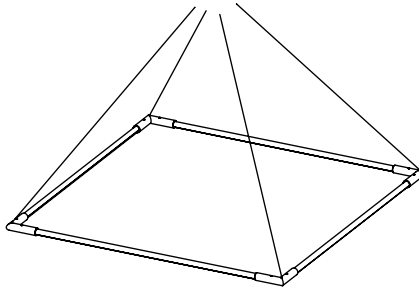
Suspended THIN Primaries Triangles in Satin Brass



SQUARE



OTHER MOUNTING
OPTIONS AVAILABLE



THIN PRIMARIES SQUARE

WITH PETER BRISTOL

The THIN Primaries Square orientation magnetically connects four fully-rotational LED light segments together. Interconnecting 24-inch or 36-inch segments allows the creation of fixtures of almost any size. All THIN Primaries can be suspended or wall-mounted.

DIMENSIONS	24 IN OR 36 IN SEGMENT LENGTHS
ORIENTATIONS	WALL-MOUNTED OR SUSPENDED
SEGMENT QUANTITY	4 SEGMENTS TOTAL
WATTAGE & LUMENS	24 IN - 27.2W, 0-2400LM TOTAL 36 IN - 38.4W, 0-3680LM TOTAL
LIGHT TEMPERATURE	2700K, 3000K, 3500K, 4000K
LIGHT QUALITY	90 CRI
MATERIALS	SOLID BRASS, PMMA
FINISHES	SATIN BRASS, BLACK OXIDE, SATIN NICKEL
CERTIFICATIONS	CE, cUL, UL, TITLE 24, DAMP LOCATION
OPTIONAL FEATURES	CENTER-MOUNT WITH CABLE COLLAR, CENTER-MOUNT WITHOUT CABLE COLLAR, DIRECT-MOUNT TO CEILING



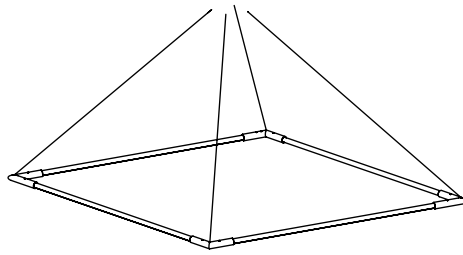
THIN Primaries Squares in Black Oxide, 75 Rock Plaza, NY, Photo by TPG Architecture



RHOMBUS



OTHER MOUNTING
OPTIONS AVAILABLE



THIN PRIMARIES RHOMBUS

WITH PETER BRISTOL

The THIN Primaries in Rhombus shape demonstrates the versatility of the THIN lighting system. Fixtures can be clustered, expanded, or interlocked to create custom installations. All light segments in the THIN collection can rotate 360° for direct and indirect illumination.

DIMENSIONS	24 IN OR 36 IN SEGMENT LENGTHS
ORIENTATIONS	WALL-MOUNTED OR SUSPENDED
SEGMENT QUANTITY	4 SEGMENTS TOTAL
WATTAGE & LUMENS	24 IN - 27.2W, 0-2400LM TOTAL 36 IN - 38.4W, 0-3680LM TOTAL
LIGHT TEMPERATURE	2700K, 3000K, 3500K, 4000K
LIGHT QUALITY	90CRI
MATERIALS	SOLID BRASS, PMMA
FINISHES	SATIN BRASS, BLACK OXIDE, SATIN NICKEL
CERTIFICATIONS	CE, cUL, UL, TITLE 24, DAMP LOCATION
OPTIONAL FEATURES	CENTER-MOUNT WITH CABLE COLLAR, CENTER-MOUNT WITHOUT CABLE COLLAR, DIRECT-MOUNT TO CEILING



THIN Primaries Rhombus with Cable Collar in Satin Brass



Wall-Mounted THIN Primaries Rhombus in Black Oxide



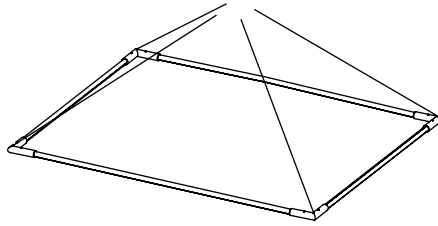
Suspended THIN Primaries Rhombus with Cable Collar in Satin Brass



RECTANGLE



OTHER MOUNTING
OPTIONS AVAILABLE



THIN PRIMARIES RECTANGLE

WITH PETER BRISTOL

The THIN Primaries Rectangle orientation features two pairs of parallel LED segments, creating an illuminated rectangle. Interconnect a custom configuration of 24-inch or 36-inch segment lengths for larger dimensions. The geometric shape can be suspended or wall/ceiling-mounted.

DIMENSIONS	24 IN OR 36 IN SEGMENT LENGTHS
ORIENTATIONS	WALL-MOUNTED OR SUSPENDED
SEGMENT QUANTITY	4 SEGMENTS TOTAL (CUSTOMIZABLE)
WATTAGE & LUMENS	24 IN - 6.8W, 0-600LM PER SEGMENT 36 IN - 9.6W, 0-920LM PER SEGMENT
LIGHT TEMPERATURE	2700K, 3000K, 3500K, 4000K
LIGHT QUALITY	90 CRI
MATERIALS	SOLID BRASS, PMMA
FINISHES	SATIN BRASS, BLACK OXIDE, SATIN NICKEL
CERTIFICATIONS	CE, cUL, UL, TITLE 24, DAMP LOCATION
OPTIONAL FEATURES	CENTER-MOUNT WITH CABLE COLLAR, CENTER-MOUNT WITHOUT CABLE COLLAR, DIRECT-MOUNT TO CEILING



THIN Primaries Rectangle in Satin Nickel



Wall-Mounted THIN Primaries Rectangle in Satin Nickel

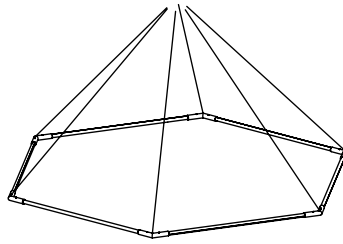




HEXAGON



OTHER MOUNTING
OPTIONS AVAILABLE



THIN PRIMARIES HEXAGON

WITH PETER BRISTOL

The power of the THIN Primaries is perhaps best demonstrated in the Hexagon configuration. Featuring six dimmable LED light segments, the fixture can be expanded, stacked, or clustered to fit architectural specifications or create stunning lighting installations.

DIMENSIONS	24 IN OR 36 IN SEGMENT LENGTHS
ORIENTATIONS	WALL-MOUNTED OR SUSPENDED
SEGMENT QUANTITY	6 SEGMENTS TOTAL
WATTAGE & LUMENS	24 IN - 40.8W, 0-3600LM TOTAL 36 IN - 57.6W, 0-5500LM TOTAL
LIGHT TEMPERATURE	2700K, 3000K, 3500K, 4000K
LIGHT QUALITY	90CRI
MATERIALS	SOLID BRASS, PMMA
FINISHES	SATIN BRASS, BLACK OXIDE, SATIN NICKEL
CERTIFICATIONS	CE, cUL, UL, TITLE 24, DAMP LOCATION
OPTIONAL FEATURES	CENTER-MOUNT WITH CABLE COLLAR, CENTER-MOUNT WITHOUT CABLE COLLAR, DIRECT-MOUNT TO CEILING



THIN Primaries Hexagons in Satin Nickel



Wall-Mounted THIN Primaries Hexagons in Satin Brass

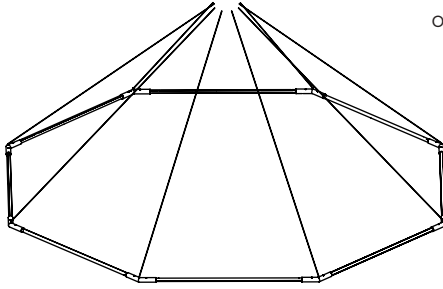




OCTAGON



OTHER MOUNTING
OPTIONS AVAILABLE



THIN PRIMARIES OCTAGON

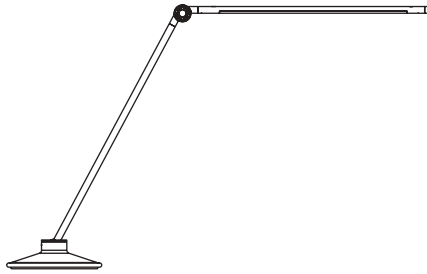
WITH PETER BRISTOL

Each of the eight solid brass 135° corners are magnetically connected by Juniper's signature ½-inch diameter rotatable light segments to form an octagon. Users can mount this configuration to a surface for a wall display, or suspend the Octagon as a pendant.

DIMENSIONS	24 IN OR 36 IN SEGMENT LENGTHS
ORIENTATIONS	WALL-MOUNTED OR SUSPENDED
SEGMENT QUANTITY	8 SEGMENTS TOTAL
WATTAGE & LUMENS	24 IN - 54.4W, 0-4800LM TOTAL 36 IN - 76.8W, 0-7400LM TOTAL
LIGHT TEMPERATURE	2700K, 3000K, 3500K, 4000K
LIGHT QUALITY	90CRI
MATERIALS	SOLID BRASS, PMMA
FINISHES	SATIN BRASS, BLACK OXIDE, SATIN NICKEL
CERTIFICATIONS	CE, cUL, UL, TITLE 24, DAMP LOCATION
OPTIONAL FEATURES	CENTER-MOUNT WITHOUT CABLE COLLAR, DIRECT-MOUNT TO CEILING



THIN Primaries Octagons in Satin Brass



THIN TASK LAMP

WITH PETER BRISTOL

The precision-engineered THIN Task Lamp Collection features the standard (S) and tall (T) sizes. The table lamp showcases an on-board dimmer knob with a fully articulating hinge and ball joint. Other bases are available for desk-inset and wall-mounting options.

DIMENSIONS	S - 40 IN EXTENDED, T - 50 IN EXTENDED
BASE OPTIONS	CAST IRON BASE (STANDARD), WALL-MOUNT, DESK-INSET
WATTAGE & LUMENS	S - 6W, 0-600LM T - 7W, 0-850LM
LIGHT TEMPERATURE	3000K
LIGHT QUALITY	90CRI
MATERIALS	BRASS, CAST IRON, CLEAR PMMA
FINISHES	SATIN BRASS, BLACK OXIDE, SATIN NICKEL
CERTIFICATIONS	cUL, UL, CE



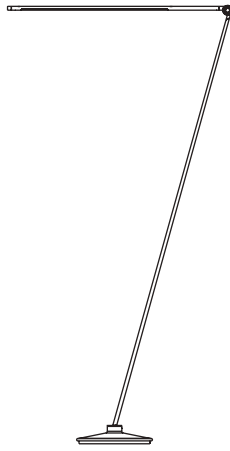
THIN Task Lamp (S) in Satin Brass, Photo by ZiiHome



Wall-Mounted THIN Task Lamp & Ground Control Toggle Switch in Satin Nickel



Desk-Inset THIN Task Lamp (S) in Satin Brass



THIN FLOOR LAMP

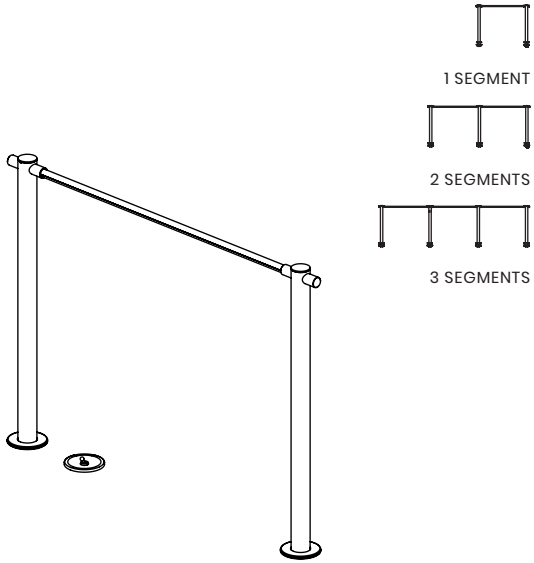
WITH PETER BRISTOL

The THIN Floor Lamp translates the minimalist style of the THIN Task Lamp Collection to an LED floor lamp. The precision-engineered lamp works with any international electrical outlet and showcases an on-board dimmer knob, fully articulating hinge, and ball joint.

DIMENSIONS	86 IN EXTENDED
BASE OPTIONS	CAST IRON BASE
WATTAGE & LUMENS	7W, 0-730LM
LIGHT TEMPERATURE	3000K
LIGHT QUALITY	90CRI
MATERIALS	BRASS, CAST IRON, CLEAR PMMA
FINISHES	SATIN BRASS, BLACK OXIDE, SATIN NICKEL
CERTIFICATIONS	cUL, UL, CE



THIN Floor Lamp in Black Oxide



THIN SHARED TASK LAMP

WITH PETER BRISTOL

The THIN Shared Task Lamp draws inspiration from old library lamps that cast a personal light while working or studying. The interconnecting dimmable LED segments can rotate to reposition light. Pair this with Ground Control accessories for added functionality.

DIMENSIONS	24 IN OR 36 IN SEGMENT LENGTHS 19 IN TALL
EXTENDABLE LENGTHS	UP TO 9FT, 3 CONNECTED SEGMENTS
WATTAGE & LUMENS	24 IN - 6.8W, 0-600LM PER SEGMENT 36 IN - 9.6W, 0-920LM PER SEGMENT
LIGHT TEMPERATURE	2700K, 3000K, 3500K, 4000K
LIGHT QUALITY	90CRI
MATERIALS	SOLID BRASS, PMMA
FINISHES	SATIN BRASS, BLACK OXIDE, SATIN NICKEL
POWER ACCESSORIES	GROUND CONTROL TOGGLE SWITCH, DIMMER KNOB, DIMMER DIAL, DOUBLE USB PORT & POWER OUTLET
CERTIFICATIONS	CE, cUL, UL, TITLE 24, DAMP LOCATION

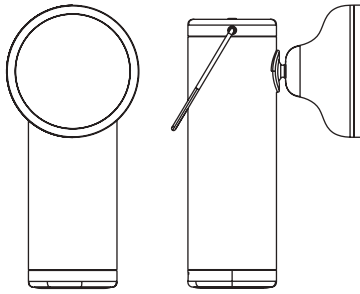


THIN Shared Task Lamp in Satin Brass with Ground Control Accessories





THIN Shared Task Lamp in Satin Brass with Ground Control Toggle Switch



M LAMP

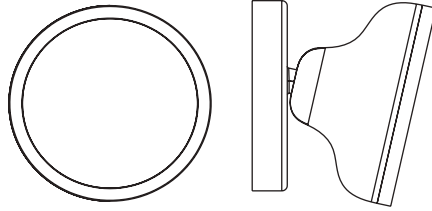
WITH DAVID IRWIN

The M Lamp draws inspiration from the iconic 19th Century miners' lamps. It features a 360° rotating head and integrated rechargeable battery. Long-lasting life and aluminum body means the dimmable M Lamp can be taken anywhere, even where power is limited.

DIMENSIONS	6 IN X 9.5 IN, 4.5 IN Ø HEAD
WATTAGE & LUMENS	3W, 0-200LM
LIGHT TEMPERATURE	2700K
LIGHT QUALITY	90CRI
BATTERY	LITHIUM IRON PHOSPHATE BATTERY 2000 CHARGE CYCLES
CHARGE LIFE	8-70 HOURS PER CHARGE
MATERIALS	POWDER-COATED HIGH-GRADE ALUMINUM, ACRYLIC
FINISHES	GLOSSY WHITE, MATTE BLACK
CERTIFICATIONS	CE, FCC, UL (POWER SUPPLY)



M Lamp in Glossy White



THE WALLY

WITH DAVID IRWIN

The Wally sconce encapsulates the narrative of 19th century miners' headlamps. The fixture combines vintage aesthetic with the requirements of a modern and functional LED sconce. With custom decals, the Wally can be a playful sign or interactive indicator light.

DIMENSIONS	4.5 IN Ø HEAD X 4 IN
WATTAGE & LUMENS	3W, 200LM (NON-DIMMABLE)
LIGHT TEMPERATURE	2700K
LIGHT QUALITY	80CRI
MATERIALS	PMMA, POWDER-COATED HIGH-GRADE ALUMINUM, VINYL FOR DECALS
FINISHES	GLOSSY ORANGE, GLOSSY WHITE, MATTE BLACK, CUSTOM FINISHES AVAILABLE UPON REQUEST
CERTIFICATIONS	UL, ETL
OTHER FEATURES	OPTIONAL CUSTOM VINYL DECALS, AMBER INDICATOR LIGHT, ADA COMPLIANT

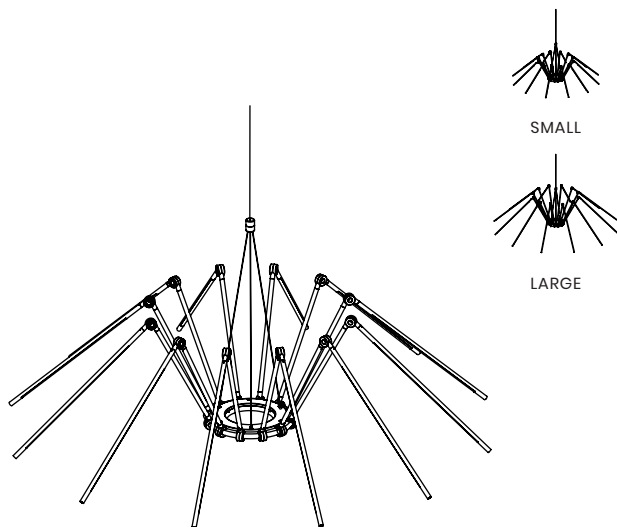


The Wally in Matte Black with Custom Decal & Switch Plate





The Wally in Vibrant Orange with Custom Decal, The Moxy Hotel, Times Square, NY



THIN CHANDELIER

WITH PETER BRISTOL

The THIN Chandelier is an elegant modular LED fixture that appears to suspend weightlessly. Available in two sizes, the chandelier is made from precision-machined ½-inch Ø brass tubes. Dimmable light arrays can be articulated on-site to form countless arrangements.

DIMENSIONS	SMALL - 87 IN Ø EXPANDED LARGE - 127 IN Ø EXPANDED
SEGMENT QUANTITY	12 SEGMENTS TOTAL
WATTAGE & LUMENS	SMALL - 48W, 0-5300LM TOTAL LARGE - 80W, 0-8850LM TOTAL
LIGHT TEMPERATURE	2700K, 3000K, 3500K, 4000K
LIGHT QUALITY	90CRI
MATERIALS	BRASS, ACRYLIC, PMMA
FINISHES	SATIN BRASS, BLACK OXIDE, SATIN NICKEL
CERTIFICATIONS	cUL, UL, CE



THIN Chandelier in Satin Brass

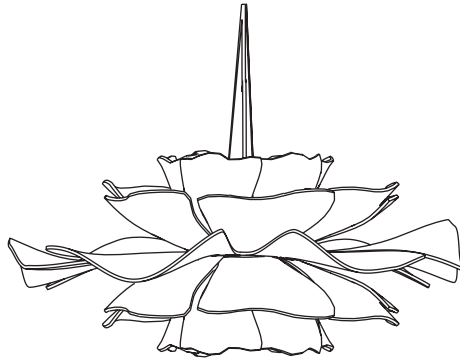




THIN Chandeliers in Satin Nickel, Assemblage Coworking Space, Photo by Mikiko Kikuyama







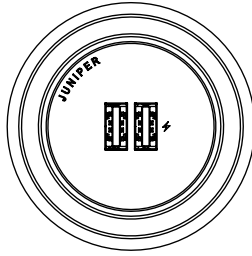
LOVE ME NOT | À LA FOLIE

WITH PASCALE GIRARDIN

The Love Me Not draws from childhood memories of picking petals off of daisies. The LED pendant's delicate curves and diffused light are crafted from five layers of acrylic with a porcelain-like matte finish. Each pendant is hand-formed so no two fixtures are identical.

DIMENSIONS	36 IN Ø X 16 IN
LUMENS	0-3000LM
LIGHT TEMPERATURE	3000K
LIGHT QUALITY	90CRI
WATTAGE	32W
MATERIALS	COPPER, ALUMINUM FROSTED PMMA
FINISH (HEATSINK)	BLACK OXIDE
CERTIFICATIONS	cUL, UL





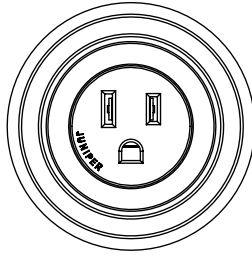
GROUND CONTROL DOUBLE USB PORT

The Ground Control Double USB Port is a furniture-mounted power accessory that features two universal USB plugs and mounts to a desk's surface. Made of a solid brass casing, this elevated device charger complements Juniper lighting fixtures and other Ground Control accessories.

DIMENSIONS	2.5 IN Ø X 2 IN
COMPATIBILITY	2.0 TYPE A
MATERIALS	BRASS, ABS
FINISHES	SATIN BRASS, BLACK OXIDE, SATIN NICKEL
CERTIFICATION	CE



Ground Control Double USB Port in Satin Brass



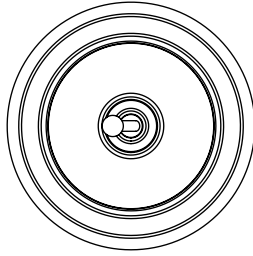
GROUND CONTROL POWER OUTLET

The Ground Control Power Outlet is designed to be installed on panels and desktops. The Type B power receptacle is embedded inside a precision-machined solid brass grommet. The natural patina finishes speaks to the simple luxury of the design.

DIMENSIONS	2.5 IN Ø X 2 IN
COMPATIBILITY	NEMA 5-15 (IEC PLUG TYPE B)
MATERIALS	BRASS, ABS
FINISHES	SATIN BRASS, BLACK OXIDE, SATIN NICKEL
CERTIFICATIONS	cUL, UL



Ground Control Power Outlet in Satin Brass



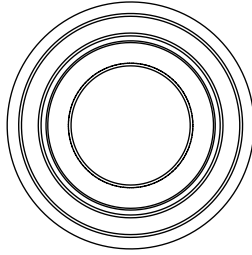
GROUND CONTROL TOGGLE SWITCH

Inspired by the dials and switches of mid-century mission control rooms, the Ground Control Toggle Switch is precision-machined from solid brass and furniture-mounted to operate in line with a range of low voltage light fixtures.

DIMENSIONS	2.5 IN Ø X 2 IN
COMPATIBILITY	THIN COLLECTION METROPOLIS COLLECTION AXIS COLLECTION MOST 12-24V CONSTANT VOLTAGE LIGHTING
MATERIALS	BRASS, ABS
FINISHES	SATIN BRASS, BLACK OXIDE, SATIN NICKEL



Ground Control Toggle Switch in Satin Brass



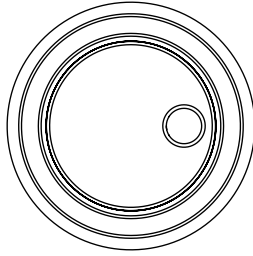
GROUND CONTROL DIMMER KNOB

Rotating brass dimmers pay tribute to the iconic designs and heavy-hand feel of quality mid-century audio controls. The Ground Control Dimmer Knob is machined from solid brass to deliver a satisfying weight as it rotates and dims light fixtures.

DIMENSIONS	2.5 IN Ø X 2 IN
COMPATIBILITY	THIN COLLECTION METROPOLIS COLLECTION AXIS COLLECTION MOST 12-24V CONSTANT VOLTAGE LIGHTING
MATERIALS	BRASS, ABS
FINISHES	SATIN BRASS, BLACK OXIDE, SATIN NICKEL



Ground Control Dimmer Knob in Satin Brass



GROUND CONTROL DIMMER DIAL

The Ground Control Dimmer Dial unites vintage aesthetics with modern functionality through a brass surface-mounted power accessory. The slim dial features a broad circular brass plate atop a slender neck. The dimmer is nestled in a solid brass grommet designed to be easily mounted to panels or desktops.

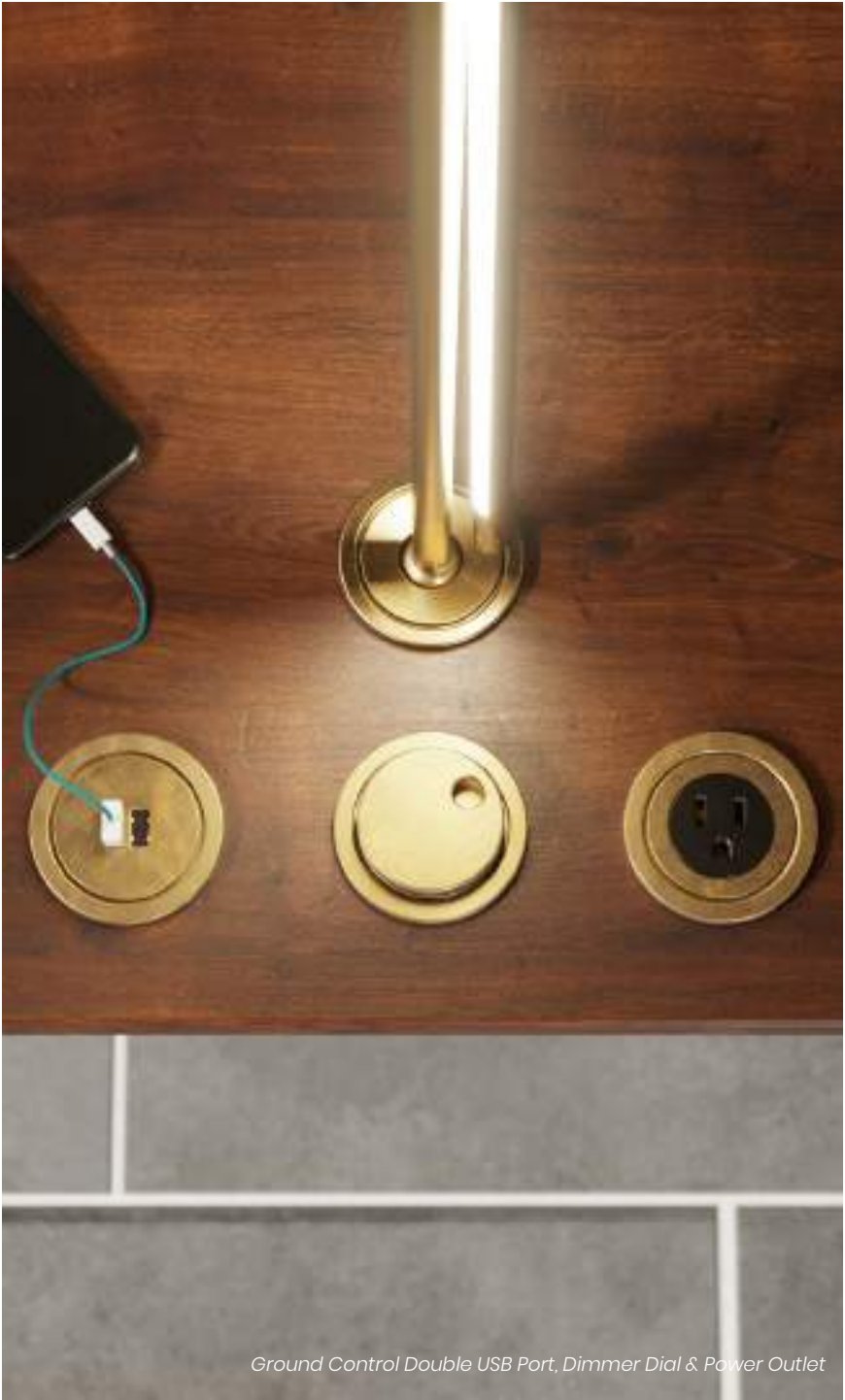
DIMENSIONS	2.5 IN Ø X 2 IN
COMPATIBILITY	THIN COLLECTION METROPOLIS COLLECTION AXIS COLLECTION MOST 12-24V CONSTANT VOLTAGE LIGHTING
MATERIALS	BRASS, ABS
FINISHES	SATIN BRASS, BLACK OXIDE, SATIN NICKEL



Ground Control Dimmer Dial in Satin Brass



Ground Control Double USB Port & Dimmer Knob



Ground Control Double USB Port, Dimmer Dial & Power Outlet



GLOSSARY



THIN SOLIDS DIAMOND

12 IN, 18 IN, & 24 IN OPTIONS
OCTAHEDRON SHAPE
SUSPENDED FROM 1 POINT



THIN SOLIDS TETRAHEDRON

12 IN, 18 IN, & 24 IN OPTIONS
TRIANGULAR PYRAMID SHAPE
SUSPENDED FROM 1 OR 3 POINTS



THIN SOLIDS CUBE

12 IN, 18 IN, & 24 IN OPTIONS
CUBE SHAPE, SUSPENDED FROM
1, 2, OR 4 POINTS



THE RAIL OUTDOOR SYSTEM

36 IN, 48 IN, & 60 IN OPTIONS
ROTATABLE INTERCONNECTING
OUTDOOR SYSTEM



AXIS X AND +

36 IN & 48 IN OPTIONS
X OR + ORIENTATION, HORIZONTAL
OR VERTICAL SUSPENSION



AXIS X VERTICAL SUSPENSION

36 IN & 48 IN OPTIONS
4 LIGHT ARRAYS PER FIXTURE
VERTICAL PENDANT

GLOSSARY



32



AXIS T

36 IN & 48 IN OPTIONS
T-SHAPED SUSPENDED LIGHTING
WITH DIRECT/INDIRECT DIMMING



36



AXIS WALL SCONCE

12 IN, 24 IN, 36 IN, 48 IN OPTIONS
WALL-MOUNTED SCONCE



38



METROPOLIS WALL-TO-WALL

CUSTOM LENGTHS
WALL-TO-WALL SYSTEM
DIRECT/INDIRECT DIMMING



42



METROPOLIS SUSPENDED

36 IN & 48 IN OPTIONS, 3.5 IN Ø
DIRECT/INDIRECT DIMMING
MESH DIFFUSER AVAILABLE



46



METROPOLIS WALL SCONCE

26 IN, 36 IN, & 48 IN OPTIONS
WALL-MOUNTED SCONCE
MESH DIFFUSER AVAILABLE



50



THIN SUSPENSION

24 IN & 36 IN SEGMENT OPTIONS
EXTENDABLE SUSPENDED SYSTEM
LONGER LENGTHS AVAILABLE



56



THIN VERTICAL SUSPENSION

24 IN, 36 IN, & 48 IN OPTIONS
1, 3, 4, & 6 CLUSTERS AVAILABLE
CUSTOM DROP HEIGHTS



60

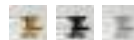


THIN MULTIPLES DYAD

24 IN & 36 IN SEGMENT OPTIONS
2 SEGMENTS PER SECTION
LONGER LENGTHS AVAILABLE



64



THIN MULTIPLES TRIAD

24 IN & 36 IN SEGMENT OPTIONS
3 SEGMENTS PER SECTION
LONGER LENGTHS AVAILABLE

GLOSSARY



66



THIN MULTIPLES VERTICAL TRIAD

24 IN & 36 IN SEGMENT OPTIONS
3 SEGMENTS PER SECTION
VERTICAL PENDANT



68



THIN MULTIPLES TETRAD

24 IN & 36 IN SEGMENT OPTIONS
4 SEGMENTS PER SECTION
LONGER LENGTHS AVAILABLE



70



THIN MULTIPLES VERTICAL TETRAD

24 IN & 36 IN SEGMENT OPTIONS
4 SEGMENTS PER SECTION
VERTICAL PENDANT



74



THIN SURFACE MOUNT PICTURE

24 IN & 36 IN SEGMENT OPTIONS
INTERCONNECTING SYSTEM,
LONGER LENGTHS AVAILABLE



80



THIN SURFACE MOUNT VANITY

24 IN & 36 IN SEGMENT OPTIONS
INTERCONNECTING SYSTEM,
LONGER LENGTHS AVAILABLE



84



THIN SURFACE MOUNT DISPLAY

24 IN & 36 IN SEGMENT OPTIONS
INTERCONNECTING SYSTEM,
LONGER LENGTHS AVAILABLE



88



THIN PRIMARIES TRIANGLE

24 IN & 36 IN SEGMENT OPTIONS
TRIANGLE, WALL-MOUNTED OR
SUSPENDED

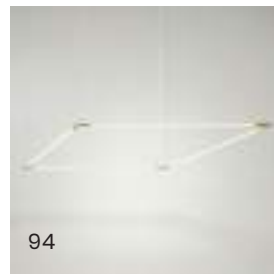


92



THIN PRIMARIES SQUARE

24 IN & 36 IN SEGMENT OPTIONS
SQUARE, WALL-MOUNTED OR
SUSPENDED



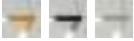
94



THIN PRIMARIES RHOMBUS

24 IN & 36 IN SEGMENT OPTIONS
RHOMBUS, WALL-MOUNTED OR
SUSPENDED

GLOSSARY



THIN PRIMARIES RECTANGLE

24 IN & 36 IN SEGMENT OPTIONS
RECTANGLE, CUSTOM
DIMENSIONS AVAILABLE



THIN PRIMARIES HEXAGON

24 IN & 36 IN SEGMENT OPTIONS
HEXAGON, WALL-MOUNTED OR
SUSPENDED



THIN PRIMARIES OCTAGON

24 IN & 36 IN SEGMENT OPTIONS
OCTAGON, WALL-MOUNTED OR
SUSPENDED



THIN TASK DESK LAMP

STANDARD & TALL SIZE OPTIONS
TABLETOP, DESK-INSET, & WALL-
MOUNTED BASES AVAILABLE



THIN FLOOR LAMP

86 IN EXTENDED
PLUG-IN FLOOR LAMP
ADJUSTABLE POSITIONING



THIN SHARED TASK

24 IN & 36 IN SEGMENT OPTIONS
DESK-INSET INTERCONNECTING
SYSTEM



M LAMP

6 IN X 9 IN
CHARGABLE, DIMMABLE
360° ADJUSTABLE HEAD LAMP



WALLY

4.5 IN X 4 IN
WALL-MOUNTED SCNCE
CUSTOM DECAL OPTIONAL



THIN CHANDELIER

TWO SIZES AVAILABLE
ADJUSTABLE SUSPENDED
CHANDELIER

GLOSSARY



130



LOVE ME NOT

36 IN X 16 IN
HAND-FORMED ACRYLIC PENDANT



132



GROUND CONTROL USB PORT

2.5 IN Ø
UNIVERSAL DESK-INSET DOUBLE
USB PORT POWER ACCESSORY



134



GROUND CONTROL OUTLET

2.5 IN Ø
UNIVERSAL DESK-INSET NEMA 5-15
POWER OUTLET ACCESSORY



136



GROUND CONTROL TOGGLE

2.5 IN Ø
TOGGLE ON/OFF DESK-INSET
LOW-VOLTAGE SWITCH



138



GROUND CONTROL KNOB

2.5 IN Ø
ON/DIM/OFF DESK-INSET LOW-
VOLTAGE DIMMER KNOB



140



GROUND CONTROL DIAL

2.5 IN Ø
ON/DIM/OFF DESK-INSET LOW-
VOLTAGE DIMMER DIAL

For more information, please visit
WWW.JUNIPER-DESIGN.COM



WWW.JUNIPER-DESIGN.COM

INFO@JUNIPER-DESIGN.COM
+1-347-799-2915

68 33RD STREET, UNIT 11
BROOKLYN, NY 11232



@JUNIPERDESIGNNY

SECOND EDITION, ALL RIGHTS RESERVED
© 2019 JUNIPER DESIGN GROUP INC.